

THIS DRAWING IS UNPUBLISHED. RELEASED FOR PUBLICATION 2001  
 BY - ALL RIGHTS RESERVED.

REVISIONS				
P	LTR	DESCRIPTION	DATE	APVD
C1		RE-ACTIVATED PARTS	17 MAY 06	RF GT
C2		REV PER ECO-09-026495	30NOV09	KK AEG
C3		ECR-10-026537	08JUL11	KK HMR

NOTES	MATERIAL	DESCRIPTION	SUPERSEDED BY P/N	TE P/N
SEE SHEET 5	MATERIAL: GLASSFIBER FILLED THERMOPLASTIC UL 94-V1 COLOUR: BLACK	PANEL MOUNT RECEPTACLE ASS'Y FOR SOCKET CONTACT	0-182920-1	7-1437723-6
-			-	7-1437723-4
-	MATERIAL: GLASSFIBER FILLED THERMOPLASTIC UL 94-V1 COLOUR: BLACK	PANEL MOUNT RECEPTACLE ASS'Y FOR PIN CONTACT	0-182641-1	4-1437723-0
SEE SHEET 4			0-211769-1	3-1437723-8
-	MATERIAL: GLASSFIBER FILLED THERMOPLASTIC UL 94-V1 COLOUR: BLACK	RECEPTACLE ASS'Y FOR SOCKET CONTACT	0-182921-1	0-1437723-9
SEE SHEET 4			0-182918-1	7-1437723-2
SEE SHEET 4	MATERIAL: GLASSFIBER FILLED THERMOPLASTIC UL 94-V1 COLOUR: BLACK	RECEPTACLE ASS'Y FOR PIN CONTACT	0-183075-1	7-1437723-0
SEE SHEET 4			0-183040-1	3-1437723-6
-	SEE RELEVANT DRAWINGS	KEYING PLUG	0-211767-1	0-1437820-7
SEE SHEET 3			0-182917-1	0-1437723-7
-	MATERIAL: GLASSFIBER FILLED THERMOPLASTIC UL 94-V1 COLOUR: BLACK	PLUG ASS'Y FOR PIN CONTACT	0-206306-2	6-1437723-9
-			0-206043-3	3-1437723-4
-	SEE RELEVANT DRAWINGS	PLUG ASS'Y FOR SOCKET CONTACT	0-211769-3	3-1437723-4
-			0-183083-1	0-1437723-6
-	SEE RELEVANT DRAWINGS	SEALING RING	0-206151-2	0-1437820-5
-			0-206838-2	6-1437723-7
SEE SHEET 2	MATERIAL: GLASSFIBER FILLED THERMOPLASTIC UL 94-V1 COLOUR: BLACK	SEALING CAP (PLUG)	-	3-1437723-2
-			0-182919-1	0-1437723-5
SEE SHEET 2	MATERIAL: GLASSFIBER FILLED THERMOPLASTIC UL 94-V1 COLOUR: BLACK	BACKSHELL PG THREAD	0-183046-1	6-1437718-0
-			0-183047-1	6-1437723-1
-	SEE RELEVANT DRAWINGS	BACKSHELL CABLE CLAMP	0-182926-1	6-1437723-1
-			-	5-1437723-9
-	SEE RELEVANT DRAWINGS	SEALING RING	0-182649-1	2-1437723-5
-			0-211768-1	2-1437723-3
-	SEE RELEVANT DRAWINGS	SEALING RING	0-182651-1	0-1437723-1
-			0-182923-1	6-1437723-5
-	SEE RELEVANT DRAWINGS	SEALING RING	0-183073-1	6-1437723-3
-			0-183039-1	2-1437723-9
-	SEE RELEVANT DRAWINGS	SEALING RING	0-211766-1	2-1437723-7
-			0-182647-1	0-1437723-3
-	SEE RELEVANT DRAWINGS	SEALING RING	0-054012-1	9-1437723-2
-			0-054011-1	4-1437723-3
-	SEE RELEVANT DRAWINGS	SEALING RING	0-054010-1	0-1437820-8
-			0-081665-5	1-1437727-5
-	SEE RELEVANT DRAWINGS	SEALING RING	0-081665-2	7-1437726-0
-			0-081665-3	2-1437726-9
-	SEE RELEVANT DRAWINGS	SEALING RING	0-206403-3	8-1437723-5
-			0-206403-2	5-1437723-2
-	SEE RELEVANT DRAWINGS	SEALING RING	0-206403-1	1-1437723-7
-			0-208680-1	9-1437723-6
-	SEE RELEVANT DRAWINGS	SEALING RING	0-208652-1	9-1437723-1
-			0-208800-1	1-1437723-2
-	SEE RELEVANT DRAWINGS	SEALING RING	-	9-1437723-7
-			0-183041-1	9-1437723-8
-	SEE RELEVANT DRAWINGS	SEALING RING	0-183042-1	1-1437723-1
-			-	8-1437723-2
-	SEE RELEVANT DRAWINGS	SEALING RING	-	7-1437723-9
-			-	4-1437723-7
-	SEE RELEVANT DRAWINGS	SEALING RING	-	4-1437723-4
-			-	1-1437723-4
-	SEE RELEVANT DRAWINGS	SEALING RING	0-182930-1	8-1437723-6
-			0-182652-1	8-1437723-8
-	SEE RELEVANT DRAWINGS	SEALING RING	0-182661-1	5-1437723-6
-			0-182655-1	5-1437723-3
-	SEE RELEVANT DRAWINGS	SEALING RING	0-182928-1	2-1437723-0
-			0-182658-1	1-1437723-8

3  
 SUPERSEDED 2

3

3

- △ PARTS SUPERSEDED BY: CPC Series 1  
SEE P/NS FOR REFERENCE
- △ OBSOLETE PARTS: OBSOLETE CIS STREAMLINING  
PER D.RENAUD/D.SINISI
- △ OBSOLETE

THIS DRAWING IS A CONTROLLED DOCUMENT FOR TTD ELECTRONICS CORPORATION  
 IT IS SUBJECT TO CHANGE AND THE CONTROLLING ENGINEERING ORGANIZATION  
 SHOULD BE CONTACTED FOR THE LATEST REVISION.

DIMENSIONS: mm

TOLERANCES UNLESS OTHERWISE SPECIFIED:

0 PLC	±
1 PLC	±0.3
2 PLC	±
3 PLC	±
4 PLC	±
ANGLES	±°
FINISH	-

DWN 21SEP2001  
 R. FABRIS  
 CHK C. TARTARI  
 APVD -

TE Connectivity

NAME: CIRCULAR PLASTIC CONNECTOR TIO SERIES PLUGS, RECEPTACLES, ACCESSORIES

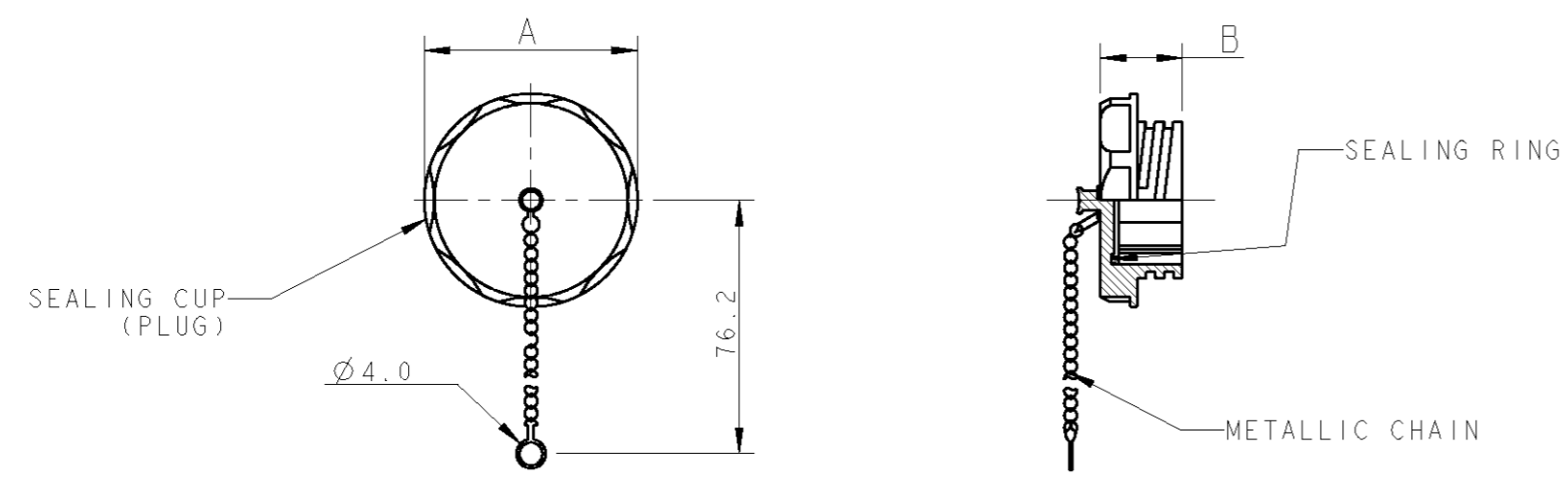
SIZE: A2 CAGE CODE: 00779 DRAWING NO: 1437723 RESTRICTED TO: -

CUSTOMER DRAWING SCALE: - SHEET 1 OF 5 REV C3

THIS DRAWING IS UNPUBLISHED. RELEASED FOR PUBLICATION 2001  
 © COPYRIGHT 2001 BY - ALL RIGHTS RESERVED.

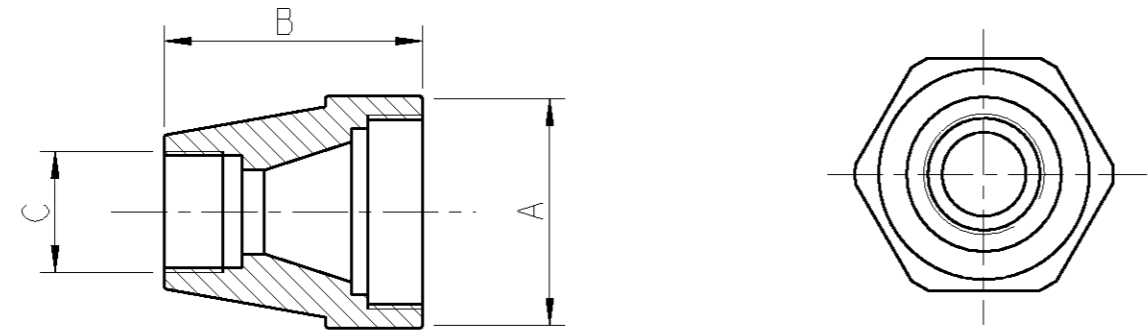
LOC	DIST	REVISIONS			
P	LTR	DESCRIPTION	DATE	DWN	APVD
-	-	SEE SHEET 1	-	-	-

SEALING CAP, PLUG



-	-	17.3	44.2	23	SEALING CAP, PLUG	9-1437723-7	A
---	---	------	------	----	-------------------	-------------	---

BACKSHELL WITH PG THREAD



-	PG21	43.0	40.0	23	BACKSHELL WITH PG THREAD	8-1437723-2	A
-	PG16	43.0	40.0		BACKSHELL WITH PG THREAD	7-1437723-9	A
-	PG13.5	43.0	30.0	17	BACKSHELL WITH PG THREAD	4-1437723-7	A
-	PG11	43.0	30.0		BACKSHELL WITH PG THREAD	4-1437723-4	A
-	PG9	43.0	21.5	11	BACKSHELL WITH PG THREAD	<sup>3</sup> 1-1437723-4	A

CABLE Ø RANGE	C	B	A	SIZE	DESCRIPTION	TE P/N	REV
---------------	---	---	---	------	-------------	--------	-----

THIS DRAWING IS A CONTROLLED DOCUMENT FOR TEO ELECTRONICS CORPORATION IT IS SUBJECT TO CHANGE AND THE CONTROLLING ENGINEERING ORGANIZATION SHOULD BE CONTACTED FOR THE LATEST REVISION.

DWN: R. FABRIS 21SEP2001  
 CHK: C. TARTARI  
 APVD: -

TE Connectivity

CIRCULAR PLASTIC CONNECTOR T10 SERIES ACCESSORIES

SIZE: A2 CAGE CODE: 00779 DRAWING NO: 1437723 RESTRICTED TO: -

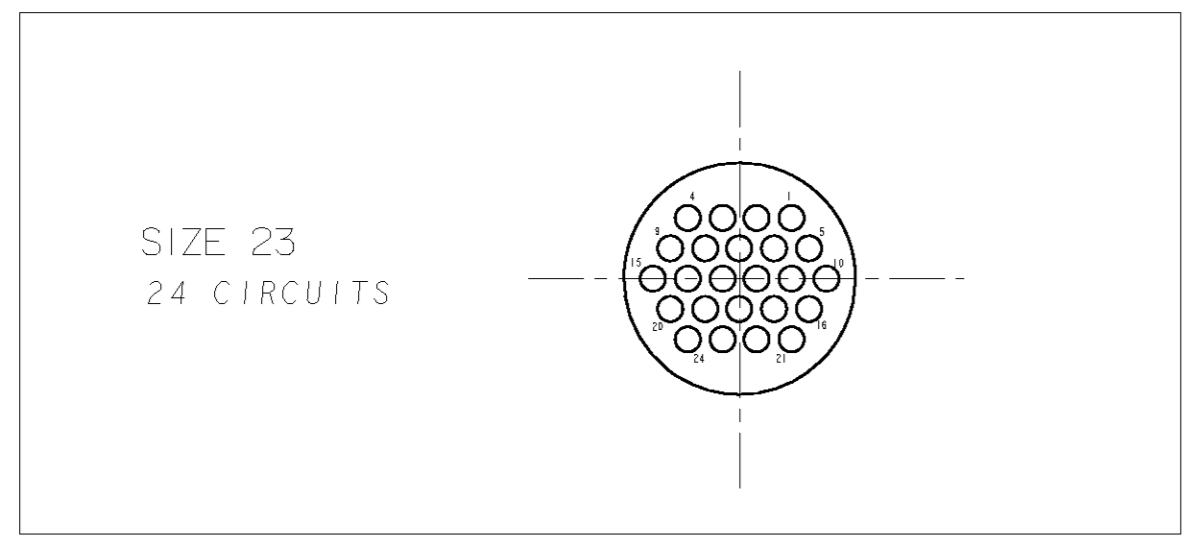
CUSTOMER DRAWING SCALE: - SHEET 2 OF 5 REV: C3

DIMENSIONS:		TOLERANCES UNLESS OTHERWISE SPECIFIED:	
mm		0 PLC	±
		1 PLC	±0.3
		2 PLC	±
		3 PLC	±
		4 PLC	±
		ANGLES	±°
MATERIAL	-	FINISH	-

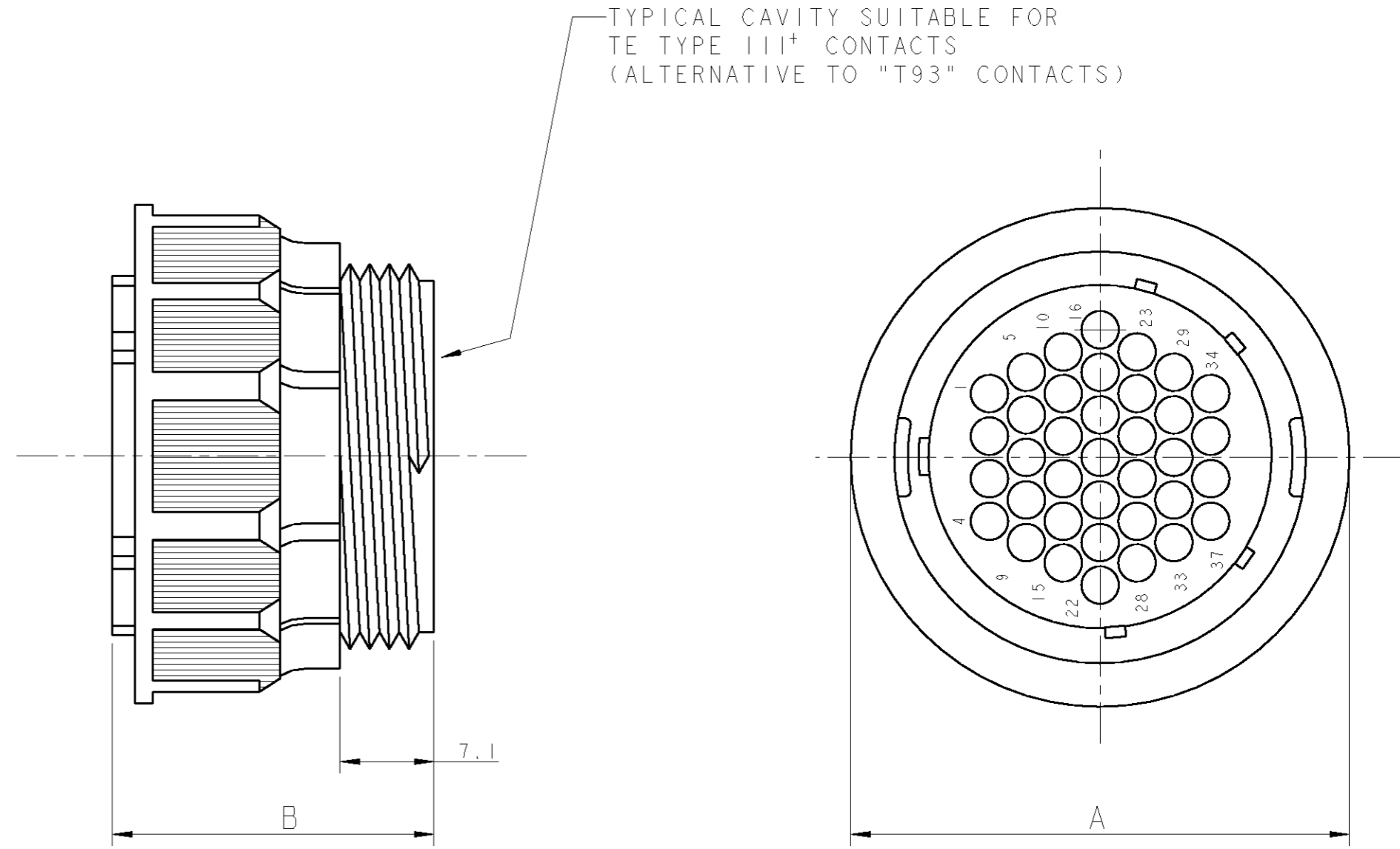
THIS DRAWING IS UNPUBLISHED. RELEASED FOR PUBLICATION 2001  
 © COPYRIGHT 2001 BY - ALL RIGHTS RESERVED.

LOC	DIST	REVISIONS			
P	LTR	DESCRIPTION	DATE	DWN	APVD
-	-	SEE SHEET 1	-	-	-

CIRCUIT LAYOUT (View from "X")



"X" →



0-183047-1	3.6	34.0	44.5	24	23	PLUG ASS'Y FOR PIN CONTACT	5-1437723-9	A
KEYING PLUG (FOR REF. ONLY)	Ø MAX ALLOWABLE WIRE INS.	B	A	No. OF CIRCUITS	SIZE	DESCRIPTION	TE P/N	REV

THIS DRAWING IS A CONTROLLED DOCUMENT FOR TEO ELECTRONICS CORPORATION. IT IS SUBJECT TO CHANGE AND THE CONTROLLING ENGINEERING ORGANIZATION SHOULD BE CONTACTED FOR THE LATEST REVISION.

DWN: R. FABRIS 21SEP2001  
 CHK: C. TARTARI  
 APVD: -

TE Connectivity

CIRCULAR PLASTIC CONNECTOR  
 T10 SERIES  
 PLUG ASS'Y

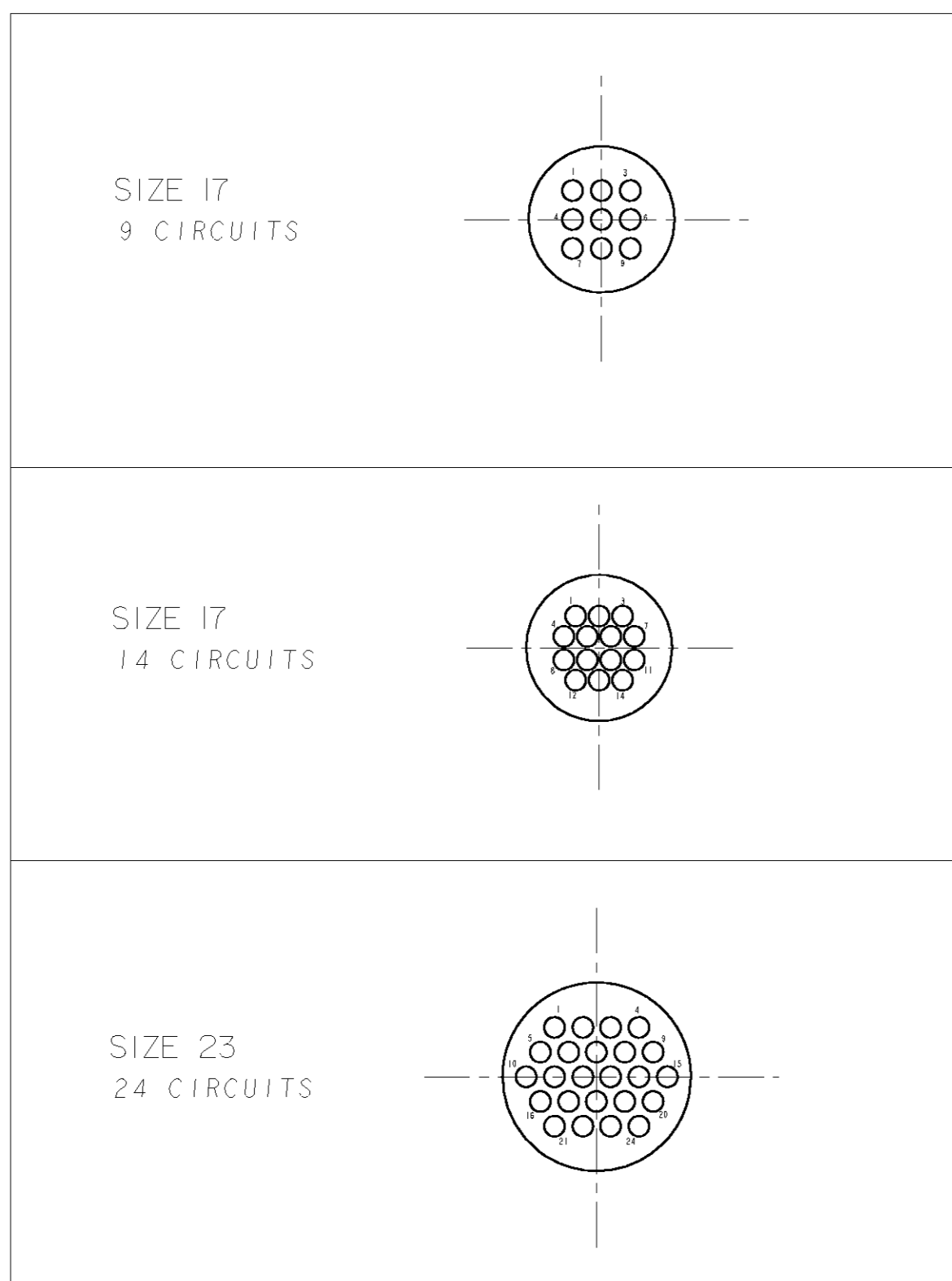
SIZE: A2 CAGE CODE: 00779 DRAWING NO: 1437723 RESTRICTED TO: -  
 WEIGHT: -  
 CUSTOMER DRAWING SCALE: - SHEET 3 OF 5 REV C3

DIMENSIONS:		TOLERANCES UNLESS OTHERWISE SPECIFIED:	
mm		0 PLC	±
		1 PLC	±0.3
		2 PLC	±
		3 PLC	±
		4 PLC	±
		ANGLES	±°
MATERIAL	-	FINISH	-

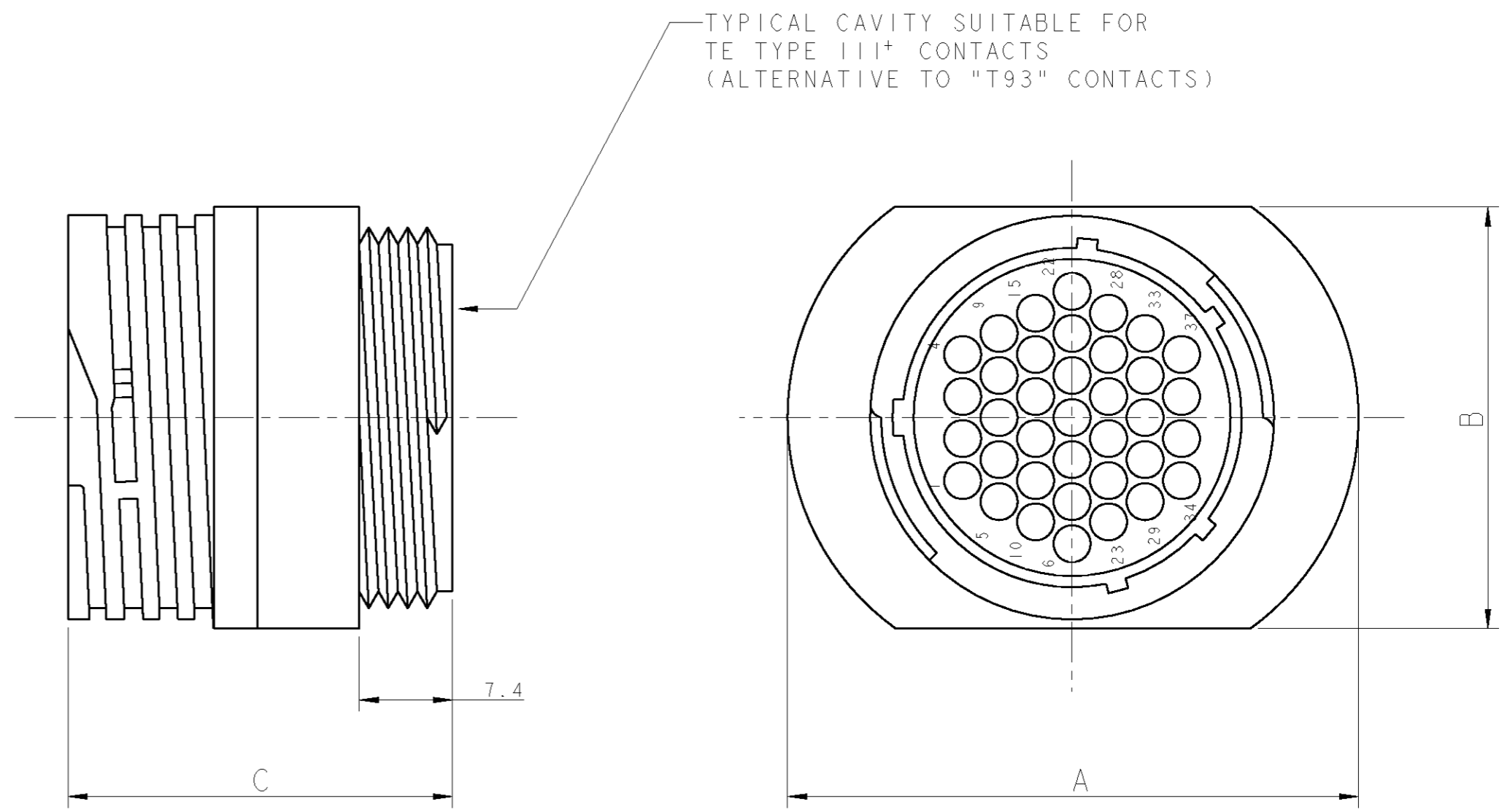
THIS DRAWING IS UNPUBLISHED. RELEASED FOR PUBLICATION 2001  
 © COPYRIGHT 2001 BY - ALL RIGHTS RESERVED.

LOC	DIST	REVISIONS			
P	LTR	DESCRIPTION	DATE	DWN	APVD
-	-	SEE SHEET 1	-	-	-

CIRCUIT LAYOUT (View from "X")



"X" →



0-183046-1	3.6	26.9	37.8	43.9	24	23	RECEPTACLE ASS'Y FOR SOCKET CONTACT	3-1437723-0	A
0-183047-1	2.8	33.8	29.5	33.3	14	17	RECEPTACLE ASS'Y FOR PIN CONTACT	3-1437723-2	A
	3.6	33.8	29.5	33.3	9	17	RECEPTACLE ASS'Y FOR PIN CONTACT	3-1437723-1	A
KEYING PLUG (FOR REF. ONLY)	Ø MAX ALLOWABLE WIRE INS.	C	B	A	No. OF CIRCUITS	SIZE	DESCRIPTION	TE P/N	REV

THIS DRAWING IS A CONTROLLED DOCUMENT FOR TEO ELECTRONICS CORPORATION. IT IS SUBJECT TO CHANGE AND THE CONTROLLING ENGINEERING ORGANIZATION SHOULD BE CONTACTED FOR THE LATEST REVISION.

DWN: R. FABRIS 21SEP2001  
 CHK: C. TARTARI  
 APVD: -

**STE** TE Connectivity

NAME: CIRCULAR PLASTIC CONNECTOR T10 SERIES RECEPTACLE ASS'Y

SIZE: A2 CAGE CODE: 00779 DRAWING NO: 1437723 RESTRICTED TO: -

MATERIAL: - FINISH: - WEIGHT: -

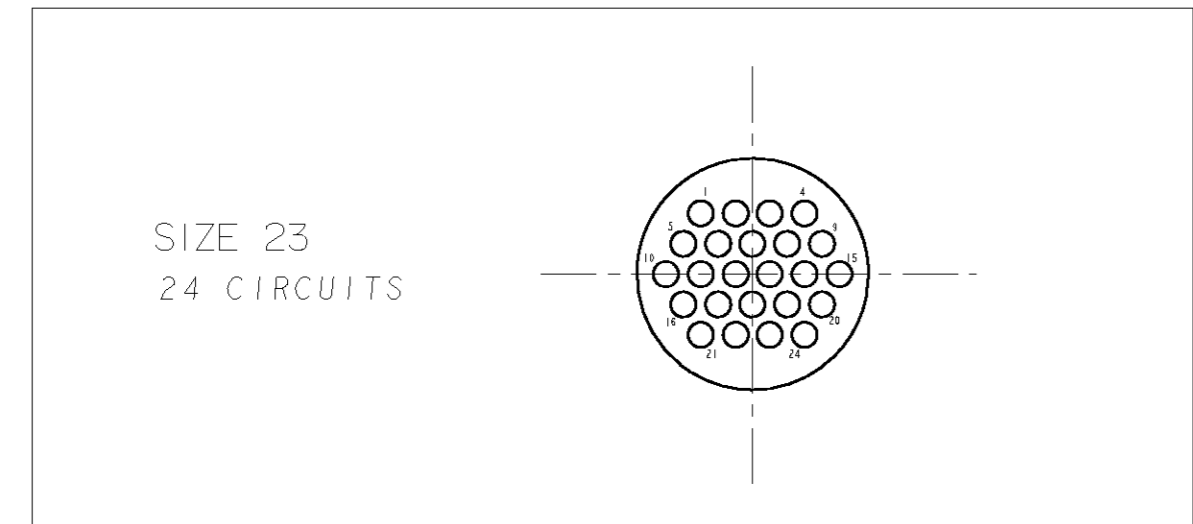
CUSTOMER DRAWING SCALE: - SHEET 4 OF 5 REV C3

DIMENSIONS:		TOLERANCES UNLESS OTHERWISE SPECIFIED:	
mm			
0 PLC	±		
1 PLC	±0.3		
2 PLC	±		
3 PLC	±		
4 PLC	±		
ANGLES	±°		

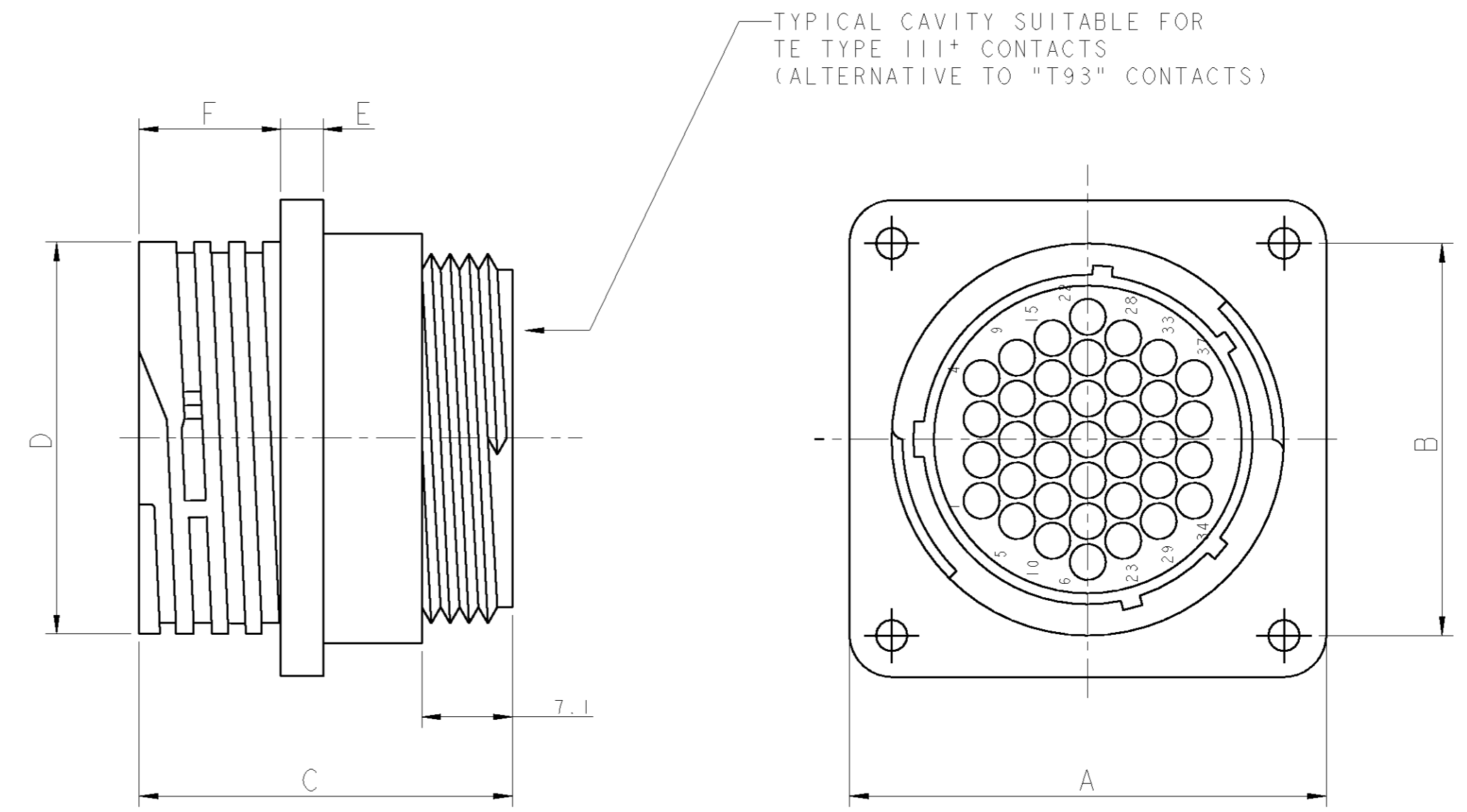
THIS DRAWING IS UNPUBLISHED. RELEASED FOR PUBLICATION 2001  
 © COPYRIGHT 2001 BY - ALL RIGHTS RESERVED.

LOC	DIST	REVISIONS			
P	LTR	DESCRIPTION	DATE	DWN	APVD
-	-	SEE SHEET 1	-	-	-

CIRCUIT LAYOUT (View from "X")



"X" →



0-183046-1	3.6	13.5	4.1	36.3	26.9	36.6	44.5	38.6	24	23	PANEL MOUNT RECEPTACLE ASS'Y FOR SOCKET CONTACT	7-1437723-4	A
KEYING PLUG (FOR REF. ONLY)	Ø MAX ALLOWABLE WIRE INS.	F	E	D	C	B	A	PANEL CUT OUT Ø	No. OF CIRCUITS	SIZE	DESCRIPTION	TE P/N	REV

THIS DRAWING IS A CONTROLLED DOCUMENT FOR TEO ELECTRONICS CORPORATION. IT IS SUBJECT TO CHANGE AND THE CONTROLLING ENGINEERING ORGANIZATION SHOULD BE CONTACTED FOR THE LATEST REVISION.

DWN: R. FABRIS 21SEP2001  
 CHK: C. TARTARI  
 APVD: -

**TE** TE Connectivity

NAME: CIRCULAR PLASTIC CONNECTOR T10 SERIES PANEL MOUNT RECEPTACLE ASS'Y

SIZE: A2 CAGE CODE: 00779 DRAWING NO: 1437723 RESTRICTED TO: -

CUSTOMER DRAWING SCALE: - SHEET 5 OF 5 REV C3

DIMENSIONS:		TOLERANCES UNLESS OTHERWISE SPECIFIED:	
mm		0 PLC ±	±°
		1 PLC ±0.3	
		2 PLC ±	
		3 PLC ±	
		4 PLC ±	
MATERIAL		FINISH	